

## Model No:LZ-3528BIN3

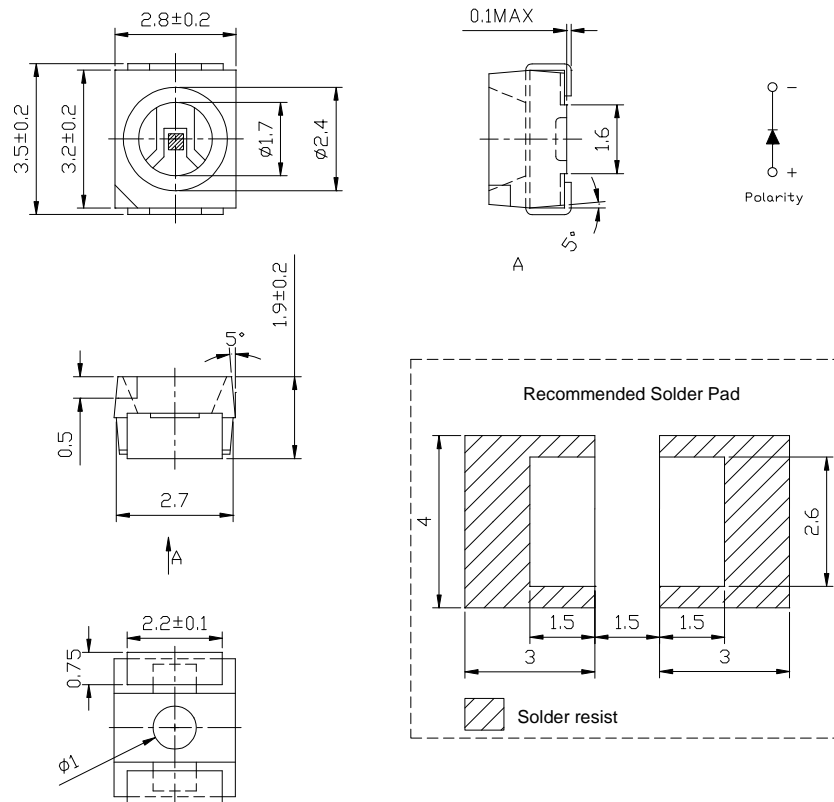
### Yellow TOP LED (1210)

### Lead(Pb) Free Product-ROHS Compliant

#### ■ Applications

1. Lightings
2. Modules
3. Signal and Symbol Luminaires
4. Backlighting
5. Toys

#### ■ Package Dimensions



#### Notes:

All dimensions in mm tolerance is  $\pm 0.1$ mm unless otherwise noted.

■ Absolute Maximum Ratings (Ta = 25°C)

| Items                 | Symbol           | Absolute maximum Rating | Unit |
|-----------------------|------------------|-------------------------|------|
| Power Dissipation     | P <sub>D</sub>   | 80                      | mW   |
| Forward Current(DC)   | I <sub>F</sub>   | 30                      | mA   |
| Peak Forward Current* | I <sub>FP</sub>  | 100                     | mA   |
| Operation Temperature | T <sub>opr</sub> | -40 ~ +95               | °C   |
| Storage Temperature   | T <sub>stg</sub> | -40 ~ +100              | °C   |

\*Pulse width ≤ 0.1msec duty ≤ 1/10

■ Typical Electrical & Optical Characteristics ( IF=20mA and Ta = 25°C)

| Part No     | Dominant Wavelength (nm) |            | Forward Voltage (v) |            | Luminous Intensity (mcd) |            | Reverse Current (μA) | 50% Power Angle |
|-------------|--------------------------|------------|---------------------|------------|--------------------------|------------|----------------------|-----------------|
|             | Min.                     | Typ.       | Min.                | Typ.       | Min.                     | Typ.       | Max.                 | Typ.            |
| LZ-3528BIN1 | <b>586</b>               | <b>590</b> | <b>1.8</b>          | <b>2.0</b> | <b>422</b>               | <b>563</b> | <b>12</b>            | <b>120</b>      |

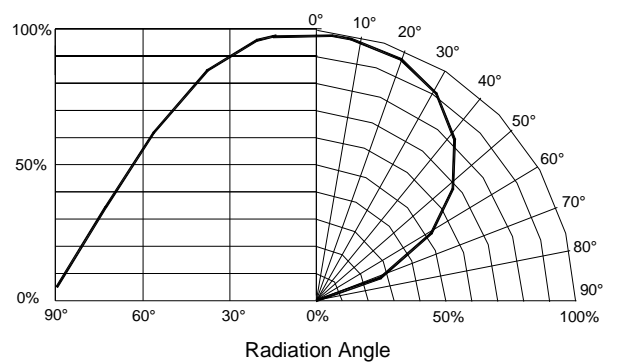
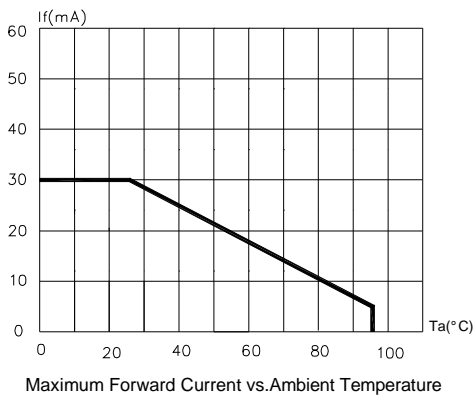
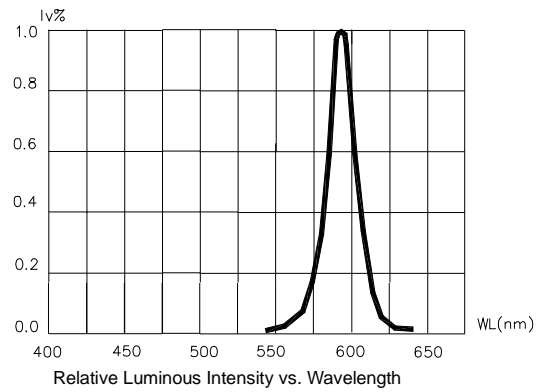
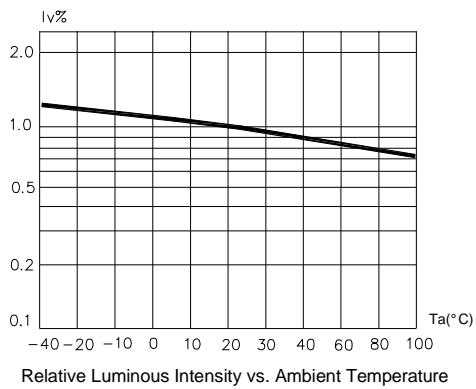
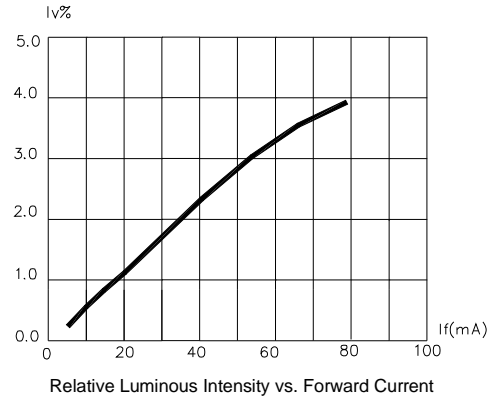
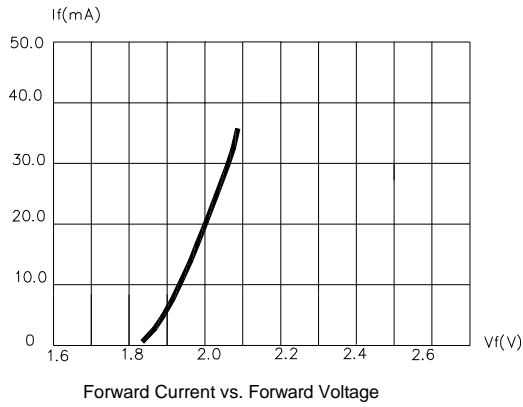
■ Ranks Combination (IF = 20mA)

| Rank                    | T1      | T2      |
|-------------------------|---------|---------|
| Luminous Intensity(mcd) | 400-541 | 271-350 |

■ Notes

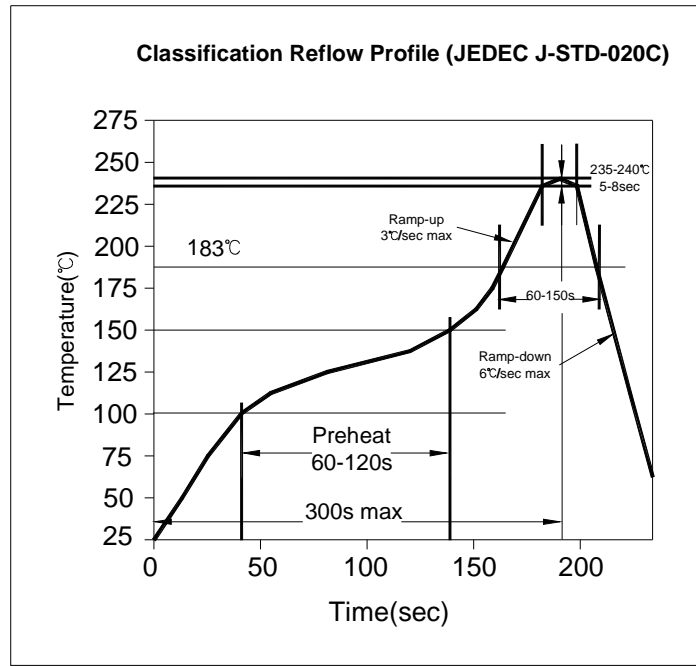
1. Tolerance of measurement of luminous intensity : ±15%
2. Tolerance of measurement of dominant wavelength : ±1.0nm
3. Tolerance of measurement of forward voltage : ±0.1V

■ Typical Electrical/ Optical Characteristics Curves (Ta=25°C Unless Otherwise Noted)

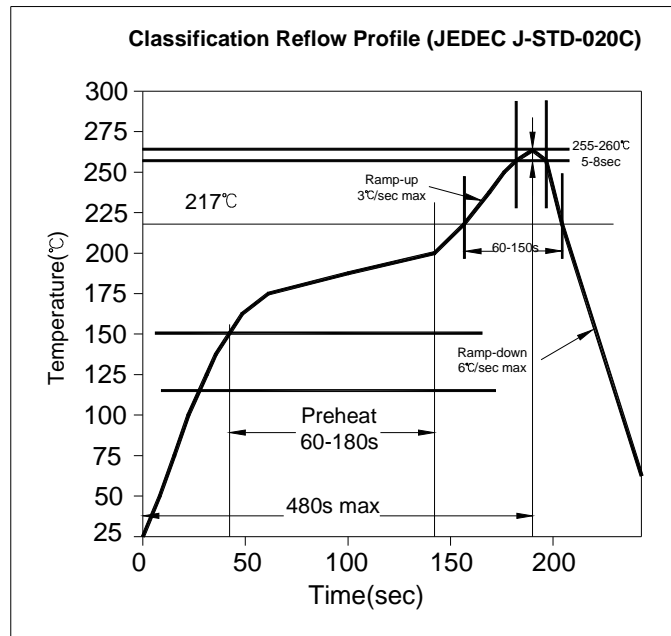


■ Soldering heat reliability:

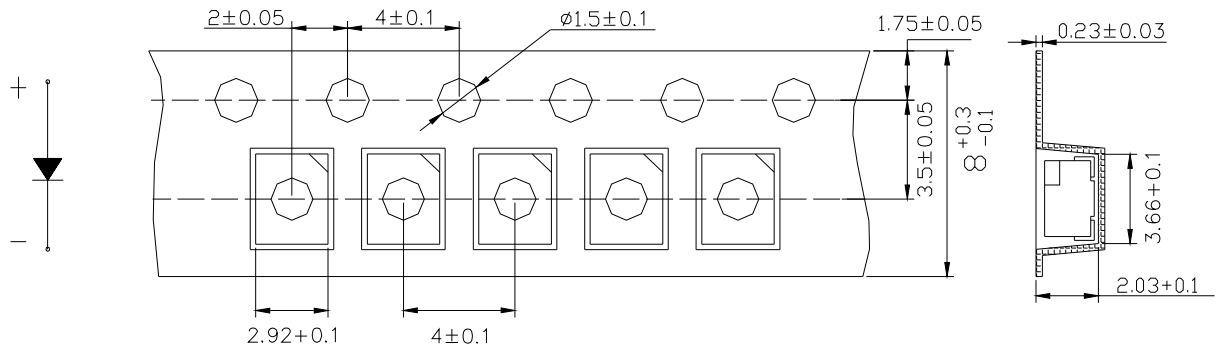
**Lead Solder**



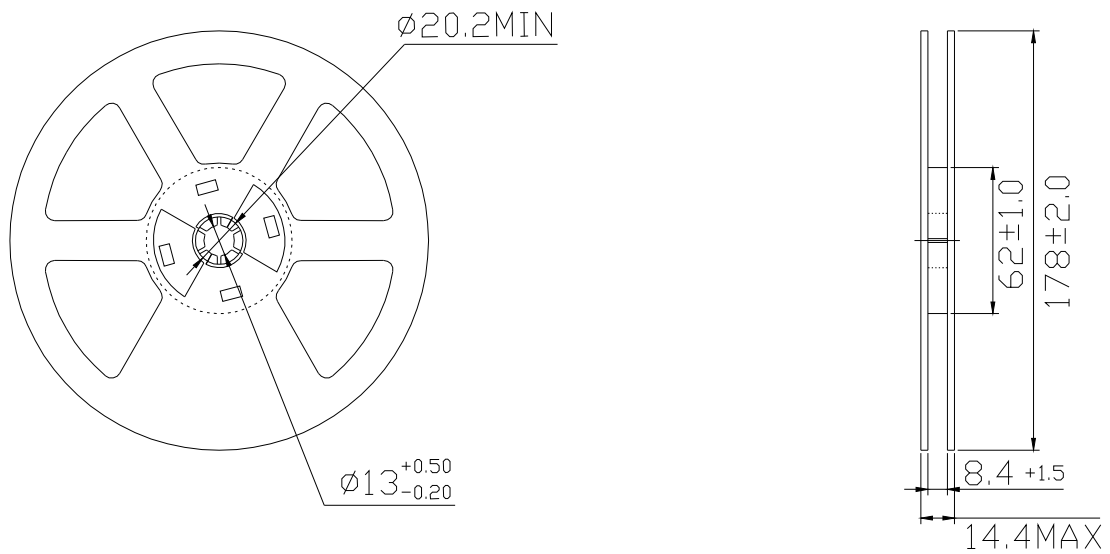
**Lead Free Solder**



■ Packing Specifications:



■ Reel Specifications



Dimensions are specified as follows: mm

**Notes:**

- 1) The packing only appropriate for LZGD
- 2) Normal packing quantity: 2,000pcs/reel

| Revision History |                    |          |             |            |             |
|------------------|--------------------|----------|-------------|------------|-------------|
| Rev.No.          | Change Description | Date     | Prepared By | Checked By | Approved By |
| Preliminary      |                    | 2013/1/5 | YQJ         | Junney     | Junney      |
|                  |                    |          |             |            |             |